



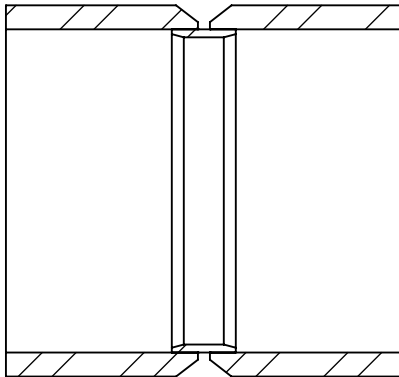
Phone: 1-800-678-0814 \ 1-503-287-9822 Fax: 1-800-287-7483 \ 1-503-287-7483

# Versa-Steel, Inc.

[www.piletips.com](http://www.piletips.com)

1618 NE 1st Avenue Portland, Oregon 97232-1136

## Split Commerical Rings (Chill Rings) Data Sheet



**PROPRIETARY AND CONFIDENTIAL**

THE INFORMATION CONTAINED IN THIS DRAWING IS THE SOLE PROPERTY OF VERSA-STEEL, INC. ANY REPRODUCTION IN PART OR AS A WHOLE WITHOUT THE WRITTEN PERMISSION OF VERSA-STEEL, INC. IS PROHIBITED.

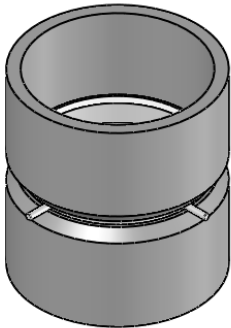
SIZE	DWG. NO.	REV.
<b>A</b>	Equipment Data Sheet	<b>A</b>
SCALE: 1:4	WEIGHT:	SHEET 1 OF 3

## Product Description

The Inside Diameter of a specific nominal pipe size will vary due to the difference in pipe wall thicknesses. The Versa Steel Split Commercial Ring is designed to compensate for these variations. When inserted into the pipe, the ring can be closed at the split or have a gap, depending on the Inside Diameter of the pipe. These rings are also designed and manufactured with an opening at the split which permits the welder to compress the ring when it is inserted into the pipe. When released inside the pipe opening, the ring will spring back and make contact throughout the inside circumference of the pipe. The usual procedure followed when using Versa Steel Split Commercial Rings is to insert the ring into one end of the pipe, and then bring the other pipe over the opposite end of the ring, forcing both ends of both pipes against whatever root opening spacers are furnished on that particular ring.

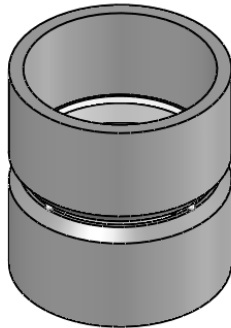
### Type LG

Type LG Ring Spacers are removed in the welding process



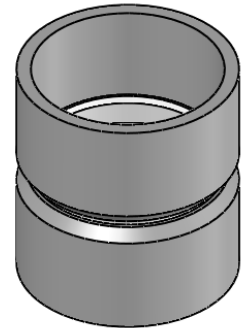
### Type S

Type S Ring Spacers may be removed or melted into the weld

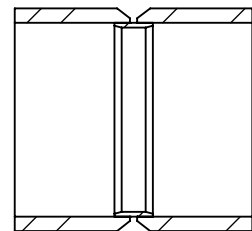
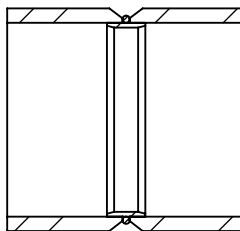
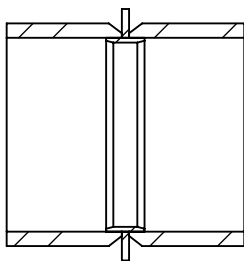


### Type W

Type W Ring is furnished without spacers



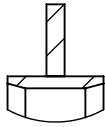
## Versa Steel Split Commercial Ring and Pipe Cross-Section View



<p><b>PROPRIETARY AND CONFIDENTIAL</b></p> <p>THE INFORMATION CONTAINED IN THIS DRAWING IS THE SOLE PROPERTY OF VERSA-STEEL, INC. ANY REPRODUCTION IN PART OR AS A WHOLE WITHOUT THE WRITTEN PERMISSION OF VERSA-STEEL, INC. IS PROHIBITED.</p>			DIMENSIONS ARE IN INCHES TOLERANCES:  1/X ± 1/16" .XX ± .01 .XXX ± .003 .XXXX ± .0005	NAME JML	DATE 12/21/2007	Description: <h2 style="margin: 0;">Split Commercial Rings</h2> Part Number:  <div style="font-size: 24pt; font-weight: bold; text-align: center;">A</div> Equipment Data Sheet	
			MATERIAL ASTM A 109	CHECKED			COMMENTS:  SCALE: 1:5      WEIGHT:      SHEET 2 OF 3
	NEXT ASSY	USED ON	FINISH None	ENG APPR.			
	APPLICATION		DO NOT SCALE DRAWING	MFG APPR.			
				Q.A.			
				REV. <span style="font-size: 24pt; font-weight: bold;">A</span>			

# Split Commercial Rings

Type LG  
(long spacer)



Ring Dimensions:

1" through 4" ----- 3/32" Thick X 5/8" Width  
5" and Larger ----- 1/8" Thick X 1" Width

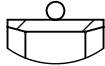
Spacer Diameter:

1" through 1 1/2" ----- 1/8" Diameter  
2" and Larger ----- 3/16" Diameter

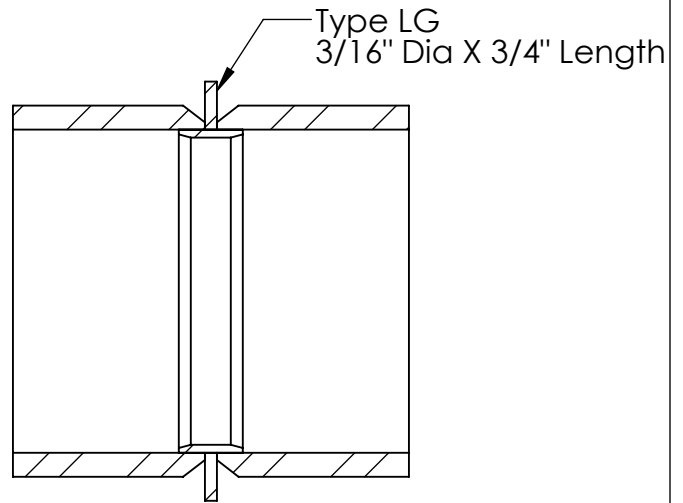
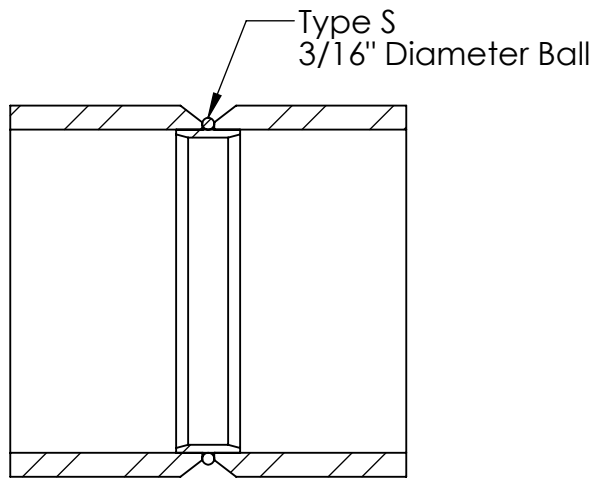
Number of Spacers per ring:

5" and smaller ----- 3 Spacers  
5" through 12" ----- 4 Spacers  
14" and larger ----- 5 Spacers

Type S  
(short spacer)



Type W  
(without spacers)



<p><b>PROPRIETARY AND CONFIDENTIAL</b></p> <p>THE INFORMATION CONTAINED IN THIS DRAWING IS THE SOLE PROPERTY OF VERSA-STEEL, INC. ANY REPRODUCTION IN PART OR AS A WHOLE WITHOUT THE WRITTEN PERMISSION OF VERSA-STEEL, INC. IS PROHIBITED.</p>			<p>DIMENSIONS ARE IN INCHES TOLERANCES:</p> <p>1/X ± 1/16" .XX ± .01 .XXX ± .003 .XXXX ± .0005</p>	NAME	DATE	<p>Description: <b>Split Commercial Rings</b> Part Number:</p>	
				DRAWN	JML		12/21/2007
				CHECKED			
			ENG APPR.				
			MFG APPR.				
		MATERIAL	ASTM A 109	Q.A.		<p>SIZE DWG. NO. REV.</p> <p><b>A</b> Equipment Data Sheet <b>A</b></p>	
NEXT ASSY	USED ON	FINISH	None	COMMENTS:			
APPLICATION		DO NOT SCALE DRAWING					
				SCALE: 1:2	WEIGHT:	SHEET 3 OF 3	